



METER DIMENSIONS

DN	40	50	65	80	100	125	150	200	250	300	350	400	500
L	245	200	200	225	250	250	300	350	450	500	500	600	800
H	225	252	262	272	282	297	341	371	480	516	560	647	785
H1	303	339	349	359	369	384	428	458	576	603	603	723	838
G	360	400	400	400	400	400	500	500	710	730	730	830	930
D	150	165	185	200	220	250	285	340	405	460	520	580	715
D1	110	125	145	160	180	210	240	295	355	410	470	525	650
nxM	4xM16	4xM16	4xM16	8xM16	8xM16	8xM20	12xM20	12xM20	12xM24	12xM24	16xM24	16xM27	20xM30

Technology that Save Water

As a major global manufacturer of plumbing products, we at **Belanto** are well aware of our responsibilities. Conservation of precious water as a natural resource has long been the primary goal of our sustainability efforts to help preserve the lining planet for our future generations.

Go Green is a philosophy embraced by **Belanto** as tenet of its design and production system to save water.

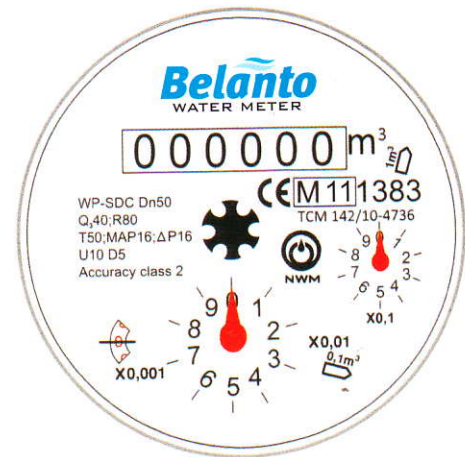
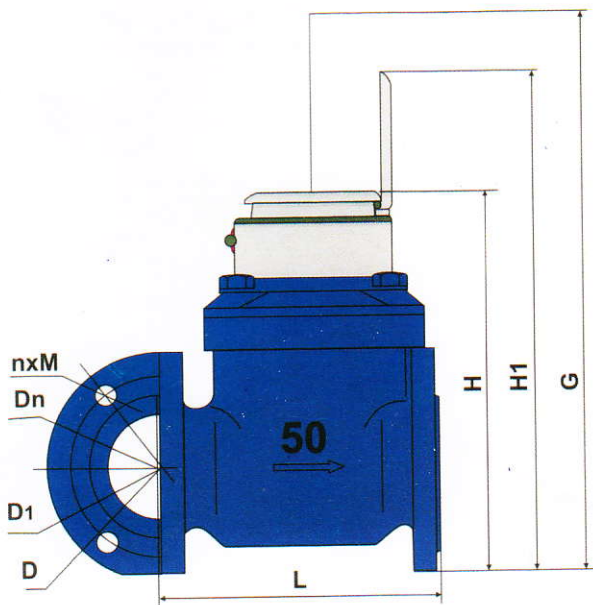


WOLTMAN (TURIBINE)

Belanto WP-SDC is TURBINE Woltman water meter with magnetic transmission, super dry type register for industrial and irrigation application has the sizes from Dn40 to Dn500 designed by Belanto and meets to the requirements of Directive 2004/22/EC on measuring instruments and of European Standard EN14154.

CHARACTERISTICS

- All the materials in contact with water, consciously selected by the known resistance to corrosion;
- Iron body with inside and outside epoxy coating for protecting the corrosion;
- The ROTATING indicator register for the most comfortable reading position;
- The copper can super dry register with IP68 protection;
- The Interchangeable, removable measuring mechanism can be easy removed from the body for checking, maintaining and replacing, no needs to dismantle the body from the pipe;
- Low pressure loss;
- No effected by external magnetic fields;
- Pulse output always ready, and Pulse output AS OPTION.
 - The Pulse Output Device consists of a plastic housing with a Reed Switch, and 1,5 m cable with 2 cores in Red and Black.
 - Electric data: $V_{max}=24AC/DC$; $I_{max}=0,01A$
 - Capacity of the Pulse Emitter:



Size	m ³ /pulse
Dn40 TO Dn 100	0.1
Dn125 TO Dn 300	1
Dn 350 TO Dn 500	10